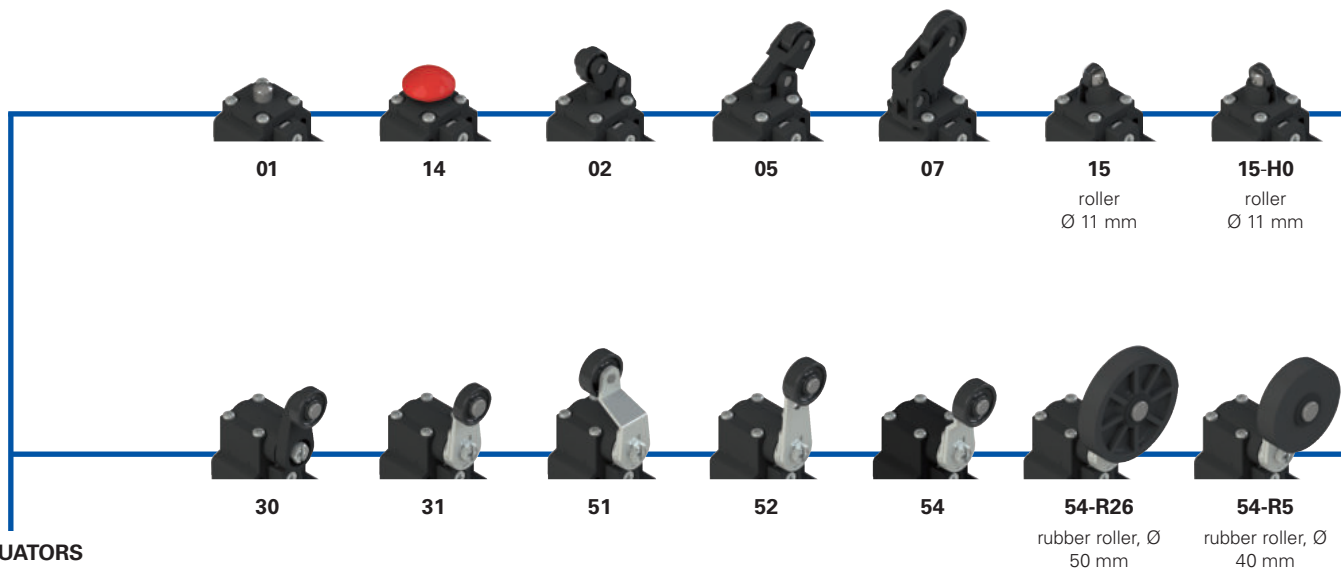
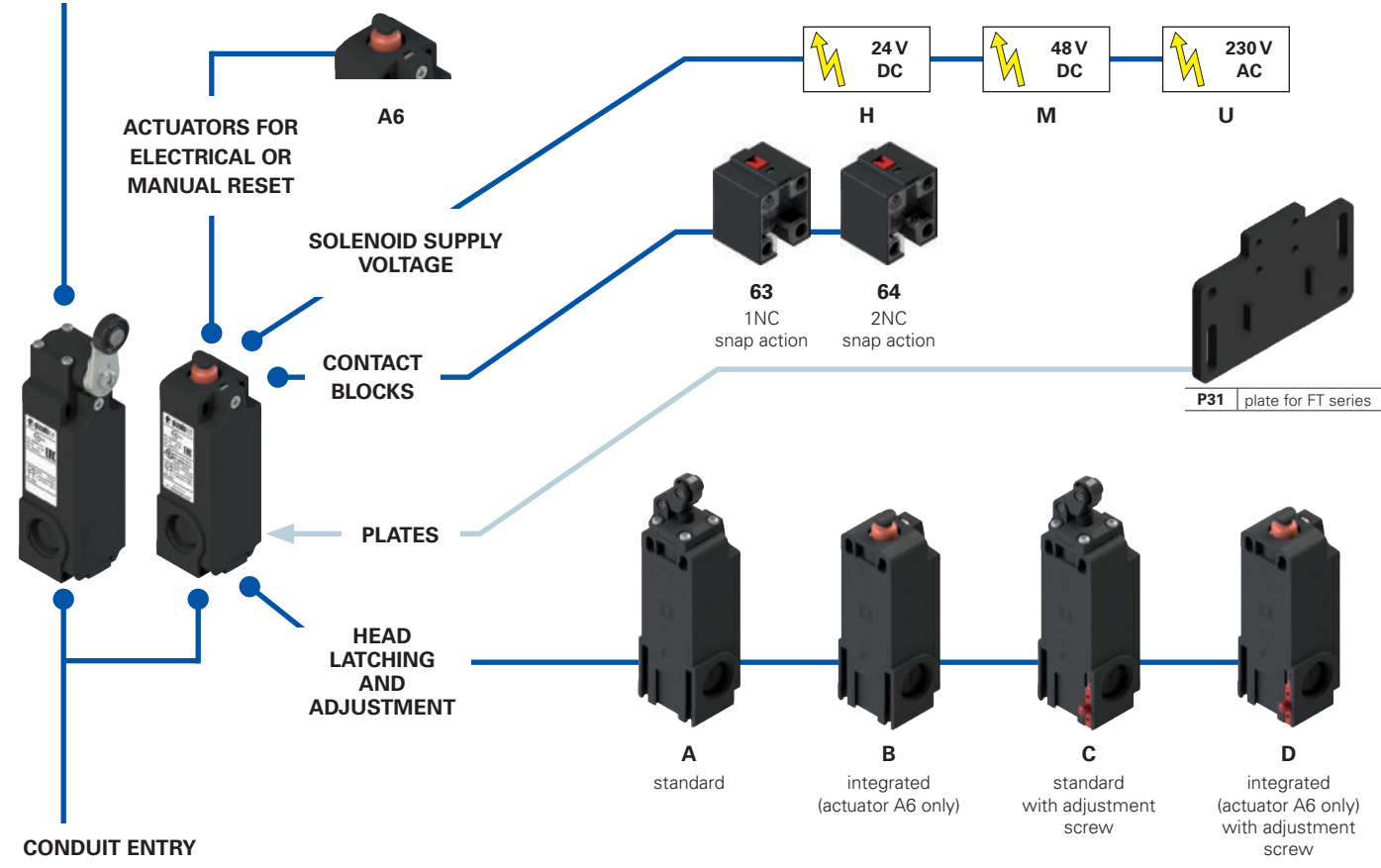


Selection diagram



ACTUATORS FOR ELECTRICAL RESET



CONDUIT ENTRY



Threaded conduit entry
M20x1.5 (standard)

With cable gland

K23	for cables Ø 6 ... 12 mm on the bottom
K123	for cables Ø 6 ... 12 mm on the right
K223	for cables Ø 6 ... 12 mm on the left
K27	for cables Ø 3 ... 7 mm on the bottom
K127	for cables Ø 3 ... 7 mm on the right
K227	for cables Ø 3 ... 7 mm on the left

Wired
Wiring with custom connectors and cables available on request.

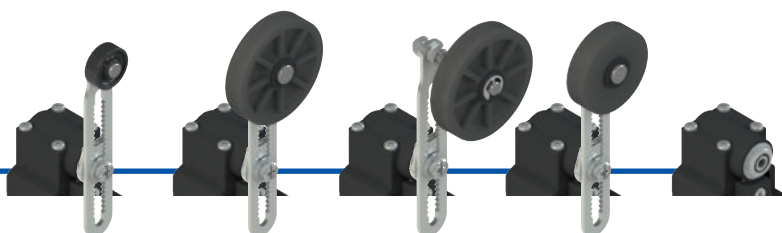


16
roller
Ø 20 mm

16-H0
roller
Ø 20 mm

12

13



56

56-R26
adjustable safety
lever with rubber
roller, Ø 50 mm

56-R27
adjustable safety
lever with rubber
roller, Ø 50 mm,
protruding

56-R5
adjustable safety
lever with rubber
roller, Ø 40 mm

38

**SEPARATE
ACTUATORS**
See page 45



Code structure

Attention! The feasibility of a code number does not mean the effective availability of a product. Please contact our sales office.

article options
FT 2A6454AH-E27GK23P31T9R26

Housing

FT technopolymer, three conduit entries

Head latching and adjustment

A	standard
B	integrated (actuator A6 only)
C	standard with adjustment screw
D	integrated (actuator A6 only) with adjustment screw

Contact blocks

63	1NC, snap action
64	2NC, snap action

Actuators

A6	plunger with catch for manual reset
01	short plunger
02	roller lever
05	angled lever with roller
...

Solenoid supply voltage

H	24 Vdc 4.2 A (100 W)
M	48 Vdc 2.1 A (100 W)
U	230 Vac 0.5 A (115 W)
K	48 Vdc 0.75 A (36 W) (only with reduced actuating force E28)
J	24 Vdc 1.5 A (36 W) (only with reduced actuating force E28)

Rollers

	standard roller
R5	rubber roller, Ø 40 mm
R26	rubber roller, Ø 50 mm
R27	rubber roller, protruding, Ø 50 mm

Ambient temperature

	-25°C ... +50°C (standard)
T9	-40°C ... +50°C

Fixing plates

	without plate (standard)
P31	with VF SFP3 plate

Pre-installed cable glands

K23	for cables Ø 6 ... 12 mm
K27	for cables Ø 3 ... 7 mm

For the complete list of possible combinations please contact our sales department

Contact type

	silver contacts (standard)
G	silver contacts with 1 µm gold coating
G1	silver contacts with 2.5 µm gold coating

Actuating force

E27	standard actuating force
E26	reduced actuating force
E28	reduced actuating force



Main features

- Versions with different actuating forces
- Versions with system for adjustment of the switching point
- Technopolymer housing, three knock-out conduit entries
- Protection degree IP67


Quality marks:



UL approval: E131787
EAC approval: RU C-IT.YT03.B.00035/19

Technical data

Housing

Housing made of glass fibre reinforced technopolymer, self-extinguishing, shock-proof and with double insulation: 
Three knock-out threaded conduit entries: M20x1.5
Protection degree acc. to EN 60529: IP67 with cable gland of equal or higher protection degree

General data

Ambient temperature: -25°C ... +50°C
-40°C ... +50°C (T9 option)
Mechanical endurance: 50,000 operating cycles
Mounting position: any
Safety parameter B_{10D}: 100.000 for NC contacts
Mechanical interlock, not coded: type 1 acc. to EN ISO 14119
Tightening torques for installation: see page 141
Wire cross-sections and wire stripping lengths: see page 153

Solenoid

Operating voltage (U_e) and current (I_e):
24 Vdc ±10%; 4.2 A (100 W)
24 Vdc ±10%; 1.5 A (36 W)
48 Vdc ±10%; 2.1 A (100 W)
48 Vdc ±10%; 0.75 A (36 W)
230 Vdc ±10%; 0.5 A (115 W)
Solenoid protection 24 Vdc (4.2 A): Type F fuse 5 A
Solenoid protection 24 Vdc (1.5 A): Type F fuse 2 A
Solenoid protection 48 Vdc (2.1 A): Type F fuse 2.5 A
Solenoid protection 48 Vdc (0.75 A): Type F fuse 1 A
Solenoid protection 230 Vac (0.5 A): Type F fuse 0.8 A
Power supply time: minimum 0.2 s, maximum 0.5 s
Time without power supply: minimum 30 s
Max. operating frequency: 118 operating cycles/hour

In compliance with standards:

EN 60947-5-1, IEC 60947-5-1, EN IEC 63000, EN 81-20, EN 81-50, UL 508, CSA 22.2 No. 14


Compliance with the requirements of:


Low Voltage Directive 2014/35/EU, EMC Directive 2014/30/EU, Lift Directive 2014/33/EU, RoHS Directive 2011/65/EU.

Positive contact opening in conformity with standards:

IEC 60947-5-1, EN 60947-5-1.

Installation for safety applications:

Use only switches marked with the symbol  next to the product code. Always connect the safety circuit to the **NC contacts** (normally closed contacts: 11-12, 21-22 or 31-32) as stated in **standard EN 81-20 par. 5.11.2.2.1**. Actuate the switch **at least up to the positive opening travel** shown in the travel diagrams on page 142. Actuate the switch **at least with the positive opening force**, reported in brackets below each article, next to the actuating force value.

 **If not expressly indicated in this chapter, for correct installation and utilization of all articles see the instructions given on pages 139 to 146.**

Electrical data		Utilization category
Thermal current (I _{th}):	10 A	Alternating current: AC15 (50 ... 60 Hz)
Rated insulation voltage (U _i):	500 Vac 600 Vdc	U _e (V) 250 400 500
Rated impulse withstand voltage (U _{imp}):	6 kV	I _e (A) 6 4 1
Conditional short circuit current:	1000 A acc. to EN 60947-5-1	Direct current: DC13
Protection against short circuits:	type aM fuse 10 A 500 V	U _e (V) 24 125 250
Pollution degree:	3	I _e (A) 3 0.55 0.3

Features approved by UL

Electrical Ratings: Q300 pilot duty (69 VA, 125-250 V dc)
A600 pilot duty (720 VA, 120-600 V ac)

Environmental Ratings: Types 1, 4X, 12, 13

For all contact blocks use 60 or 75°C copper (Cu) conductors, rigid or flexible, wire size 12, 14 AWG. Tightening torque for terminal screws of 7.1 lb in (0.8 Nm).

The hub is to be connected to the conduit before the hub is connected to the enclosure.

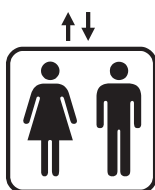
Please contact our technical department for the list of approved products.

Introduction



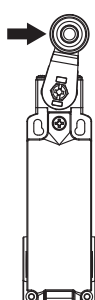
The FT series safety switches with reset retain their switching state when operated: their reset occurs electrically through the integrated solenoid. Thanks to this special feature, the switch can be remotely reset without having to go physically near it. Available with multiple actuators, they are able to adapt to a wide variety of applications, particularly in the area of lifts, speed limiters and, more generally, in the world of security. Some models may also be manually reset.

Compliant with EN 81-20 and EN 81-50



- Safety contacts in compliance with EN 60947-5-1, annex K.
- Protection degree higher than IP4x.
- All switches meet requirements laid down by the new standards for safety contacts

Reduced actuating force (E26/E28)



FT series switches can be supplied with reduced actuating force on request:

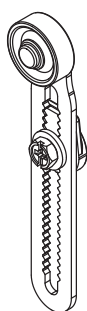
Actuator	Force
A6	3.5 N (25 N ⊖)
01, 12, 13, 14, 15, 16	5.5 N (25 N ⊖)
02, 05	3.6 N (25 N ⊖)
07	2.1 N (25 N ⊖)
30, 31, 38, 51, 52, 54, 56	0.06 Nm (0.25 Nm ⊖)

Protection degree IP67

IP67

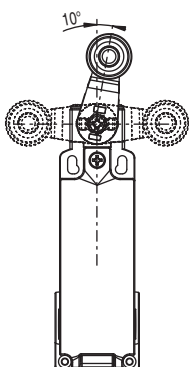
All switches of these series have protection degree IP67.

Adjustable safety lever



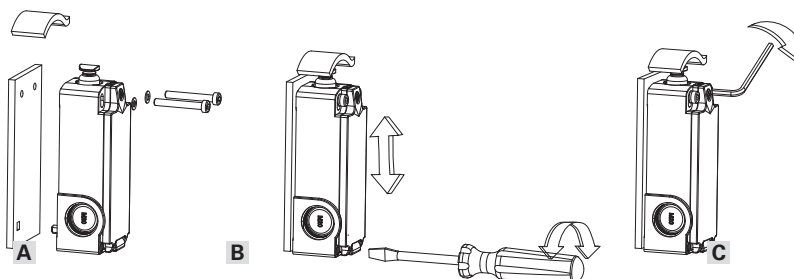
The adjustable lever code 56 (and variants) is provided with a notching that prevents the sliding also in case the fastening screw becomes loose.

Adjustable levers



For switches with swivelling lever, the lever can be adjusted in 10° steps over the entire 360° range. The positive movement transmission is always guaranteed thanks to the particular geometrical coupling between the lever and the revolving shaft as prescribed for safety applications by the German standard BG-GS-ET-15.

Versions with adjustment system (housings C, D, E, F)



Pizzato Elettrica introduces a new adjustment system, built into the switch, designed specifically for speed limiter applications.

This system allows very fine and sensitive adjustment of the switch position along the vertical axis.

Features:

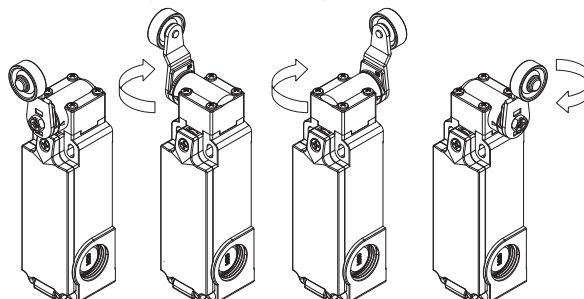
- ease of installation and adjustment;
- ability to carry out highly precise vertical adjustment;
- broad adjustment range (up to 4mm);
- captive elements.

Operation:

- Make a hole in the switch fixing plate, for insertion of the adjustment pin on the back of the switch itself. Insert switch to speed limiter, without obstructing the two fixing screws.
- Adjust the position of the switch, using the screw on the front.
- Finally, secure the switch body to the speed limiter.

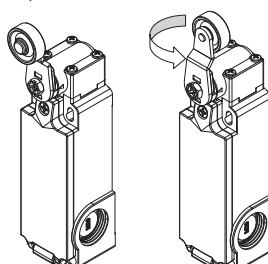
Head with variable orientation

The head of all switches is adjustable in 90° steps.



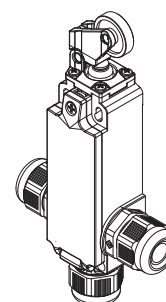
Reversible levers

For switches with swivelling lever, the lever can be fastened on straight or reverse side maintaining the positive coupling. In this way two different working planes of the lever are possible.



Cable outlets

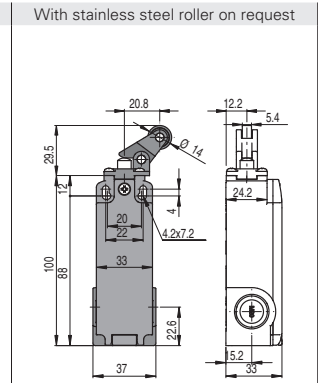
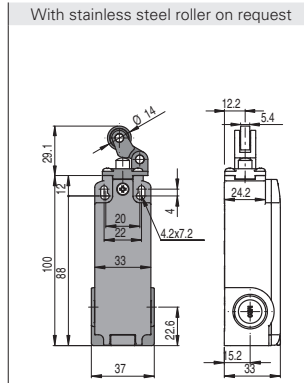
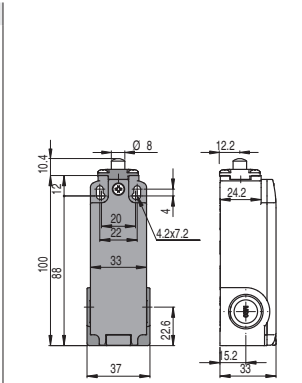
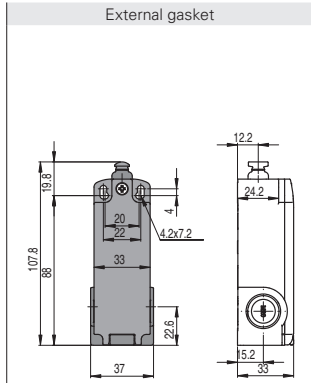
Switches available with cable outlets in various directions, for use in the most confined of spaces.



FT series switches with electrical reset

Contact type:

R = snap action

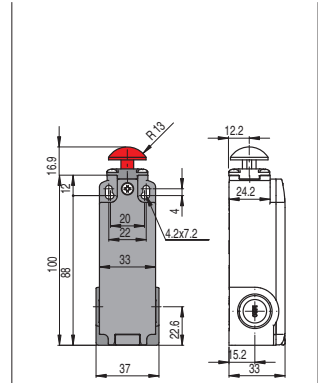
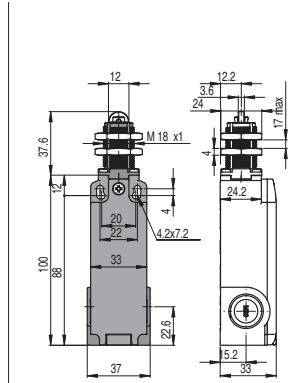
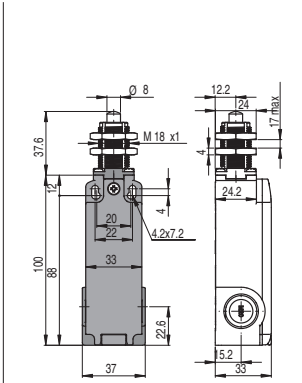
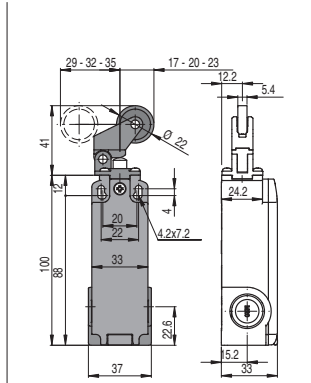


Contact blocks

63	R	FT 2B63A6AH-E27	1NC	FT 2A6301AH-E27	1NC	FT 2A6302AH-E27	1NC	FT 2A6305AH-E27	1NC
64	R	FT 2B64A6AH-E27	2NC	FT 2A6401AH-E27	2NC	FT 2A6402AH-E27	2NC	FT 2A6405AH-E27	2NC
Max. speed		page 141 - type 4		page 141 - type 4		page 141 - type 3		page 141 - type 3	
Actuating force		5 N (25 N)		6 N (25 N)		5 N (25 N)		5 N (25 N)	
Travel diagrams		page 142 - group 1d		page 142 - group 2d		page 142 - group 3d		page 142 - group 3d	

Contact type:

R = snap action

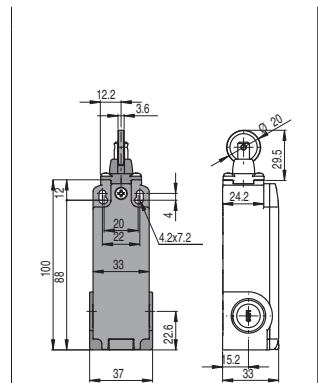
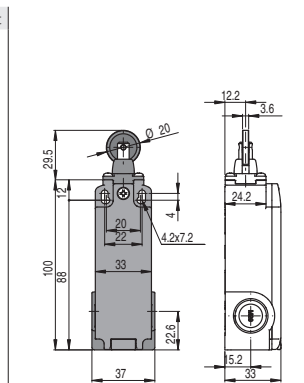
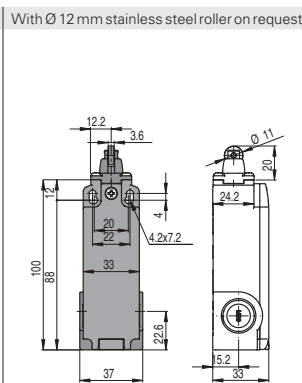
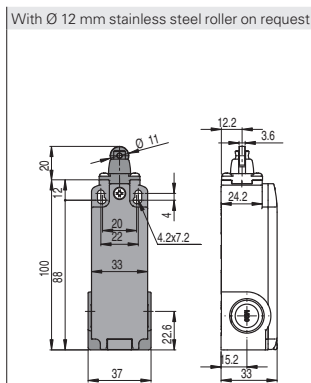


Contact blocks

63	R	FT 2A6307AH-E27	1NC	FT 2A6312AH-E27	1NC	FT 2A6313AH-E27	1NC	FT 2A6314AH-E27	1NC
64	R	FT 2A6407AH-E27	2NC	FT 2A6412AH-E27	2NC	FT 2A6413AH-E27	2NC	FT 2A6414AH-E27	2NC
Max. speed		page 141 - type 3		page 141 - type 4		page 141 - type 2		page 141 - type 4	
Actuating force		3 N (25 N)		6 N (25 N)		6 N (25 N)		6 N (25 N)	
Travel diagrams		page 142 - group 4d		page 142 - group 2d		page 142 - group 2d		page 142 - group 2d	

Contact type:

R = snap action



Contact blocks

63	R	FT 2A6315AH-E27	1NC	FT 2A6315AH-E27H0	1NC	FT 2A6316AH-E27	1NC	FT 2A6316AH-E27H0	1NC
64	R	FT 2A6415AH-E27	2NC	FT 2A6415AH-E27H0	2NC	FT 2A6416AH-E27	2NC	FT 2A6416AH-E27H0	2NC
Max. speed		page 141 - type 2		page 141 - type 2		page 141 - type 2		page 141 - type 2	
Actuating force		6 N (25 N)		6 N (25 N)		6 N (25 N)		6 N (25 N)	
Travel diagrams		page 142 - group 2d		page 142 - group 2d		page 142 - group 2d		page 142 - group 2d	

All values in the drawings are in mm

Accessories See page 135

→ The 2D and 3D files are available at www.pizzato.com



Contact type:	With $\varnothing 20$ mm stainless steel roller on request	Other rollers available. See page 45	Other rollers available. See page 45	Other rollers available. See page 45
R = snap action				
Contact blocks				
63 R	FT 2A6330AH-E27 \rightarrow 1NC	FT 2A6331AH-E27 \rightarrow 1NC	FT 2A6351AH-E27 \rightarrow 1NC	FT 2A6352AH-E27 \rightarrow 1NC
64 R	FT 2A6430AH-E27 \rightarrow 2NC	FT 2A6431AH-E27 \rightarrow 2NC	FT 2A6451AH-E27 \rightarrow 2NC	FT 2A6452AH-E27 \rightarrow 2NC
Max. speed	page 141 - type 1	page 141 - type 1	page 141 - type 1	page 141 - type 1
Actuating force	0.08 Nm (0.25 Nm \rightarrow)	0.08 Nm (0.25 Nm \rightarrow)	0.08 Nm (0.25 Nm \rightarrow)	0.08 Nm (0.25 Nm \rightarrow)
Travel diagrams	page 142 - group 5d	page 142 - group 5d	page 142 - group 5d	page 142 - group 5d

Contact type:			
R = snap action			
Contact blocks			
63 R	FT 2A6354AH-E27 \rightarrow 1NC	FT 2A6354AH-E27R26 \rightarrow 1NC	FT 2A6354AH-E27R5 \rightarrow 1NC
64 R	FT 2A6454AH-E27 \rightarrow 2NC	FT 2A6454AH-E27R26 \rightarrow 2NC	FT 2A6454AH-E27R5 \rightarrow 2NC
Max. speed	page 141 - type 1	page 141 - type 1	page 141 - type 1
Actuating force	0.08 Nm (0.25 Nm \rightarrow)	0.08 Nm (0.25 Nm \rightarrow)	0.08 Nm (0.25 Nm \rightarrow)
Travel diagrams	page 142 - group 5d	page 142 - group 5d	page 142 - group 5d

Contact type:				
R = snap action				
Contact blocks				
63 R	FT 2A6356AH-E27 \rightarrow 1NC	FT 2A6356AH-E27R26 \rightarrow 1NC	FT 2A6356AH-E27R27 \rightarrow 1NC	FT 2A6356AH-E27R5 \rightarrow 1NC
64 R	FT 2A6456AH-E27 \rightarrow 2NC	FT 2A6456AH-E27R26 \rightarrow 2NC	FT 2A6456AH-E27R27 \rightarrow 2NC	FT 2A6456AH-E27R5 \rightarrow 2NC
Max. speed	page 141 - type 1	page 141 - type 1	page 141 - type 1	page 141 - type 1
Actuating force	0.08 Nm (0.25 Nm \rightarrow)	0.08 Nm (0.25 Nm \rightarrow)	0.08 Nm (0.25 Nm \rightarrow)	0.08 Nm (0.25 Nm \rightarrow)
Travel diagrams	page 142 - group 5d	page 142 - group 5d	page 142 - group 5d	page 142 - group 5d

All values in the drawings are in mm

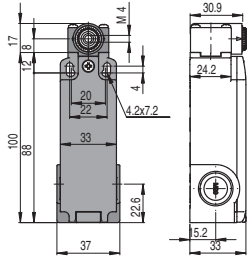
Accessories See page 135

 \rightarrow The 2D and 3D files are available at www.pizzato.com

Position switches with swivelling lever without actuator

Contact type:

R = snap action



IMPORTANT

For safety applications: join only switches and actuators marked with symbol ⊕ next to the product code.

For more information about safety applications see details on page 139.

Contact blocks

63	R	FT 2A6338AH-E27	⊕	1NC
64	R	FT 2A6438AH-E27	⊕	2NC
Actuating force		0.08 Nm (0.25 Nm) ⊕		
Travel diagrams		page 142 - group 5d		

Special separate actuators

IMPORTANT: These separate actuators can be used only with items of the FT series.

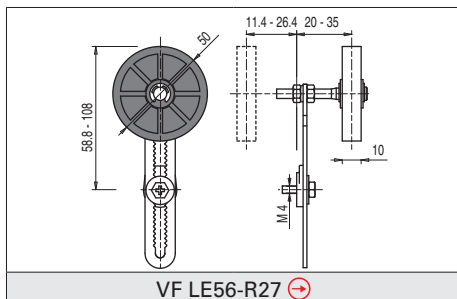
Rubber rollers, Ø 40 mm

VF LE31-R5 ⊕ (4)	VF LE51-R5 ⊕ (4)	VF LE52-R5 ⊕	VF LE54-R5 ⊕ (4)	VF LE56-R5 ⊕	VF LE57-R5 ⊕ (4)

Rubber rollers, Ø 50 mm

VF LE51-R26 ⊕ (4)	VF LE52-R26 ⊕ (4)	VF LE54-R26 ⊕ (4)	VF LE56-R26 ⊕	VF LE57-R26 ⊕ (4)

Protruding rubber rollers, Ø 50 mm



(4) The actuator cannot be rotated to the inside because it will hit the switch head upon actuation.

